

**Model: RS-MK8XF**

**20CM Mid-Range Speaker**

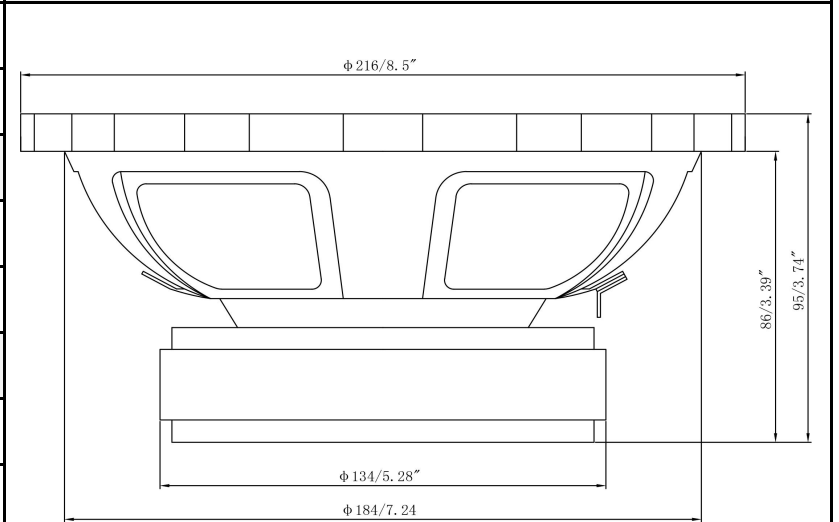


**SPECIFICATIONS**

General Data		Unit	FEATURES
Overall Dimensions	Ø216 x 95	mm	Steel Basket
Nominal Power Handling	150W	W	Reinforced Pulp Paper Cone, Treated Cloth Surround
Maximum Power	400W	W	Dome Paper Dust Cap
Sensitivity	95	dB	High Temperature CCAW Voice Coil
Frequency Response	95~15000	Hz	High Performance Ferrite Magnet Structure

Cone Material	Non-Pressed Paper	
Basket	Steel	
Net Weight	2.96	kg

**Dimensions**



Electrical Data		
Nominal Impedance	4	Ohm
DC Resistance	3.2	Ohm

Voice Coil and Magnet Parameters		
Voice Coil Diameter	44.7	mm
Voice Coil Height	8	mm
Magnetic Gap Height	6	mm
Voice Coil Robbin	TIL	
Number of Layers	2L	

T-S Parameters		
Suspension Compliance	173.050µM/N	Cms
Mechanical Q Factor	8.386	Qms
Electrical Q Factor	0.517	Qes
Total Q Factor	0.487	Qts
Moving Mass	12.956	Mms
Eq. Cas AIR Loaded	10.954L	Vas
Resonant Frequency	102	Fs
Effective Piston Area	211.13cm <sup>2</sup>	SD

