

20 CM 2 Way Coaxial Midrange Speaker



SPECIFICATIONS

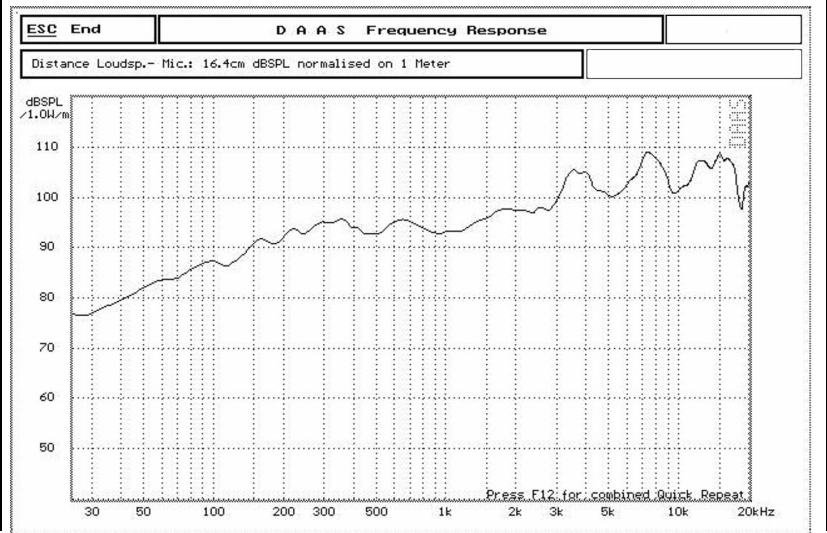
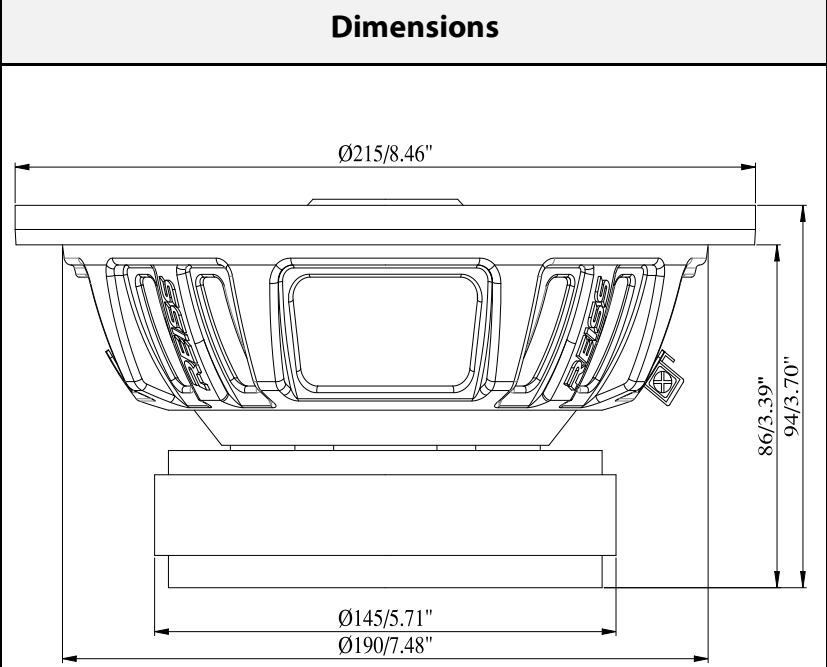
General Data		Unit
Overall Dimensions	Ø215 x 94	mm
Nominal Power Handling	170	W
Maximum Power	450	W
Sensitivity	97	dB
Frequency Response	75~20000	Hz
Cone Material	Pressed Paper	
Basket	Steel	
Net Weight	3.56	kg

FEATURES
Steel Basket
Pressed Paper Cone, Treated Cloth Surround
High Temperature CCAW Voice Coil
Ferrite Magnet Structure
Tweeter: 1" CCAW Voice Coil, Aluminium Diaphragm

Electrical Data		
Nominal Impedance	4	Ohm
DC Resistance	3.2	Ohm

Voice Coil and Magnet Parameters		
Voice Coil Diameter	44.7	mm
Voice Coil Height	10	mm
Magnetic Gap Height	6	mm
Voice Coil Robbin	TIL	
Number of Layers	2L	

T-S Parameters		
Suspension Compliance	217.682µM/N	Cms
Mechanical Q Factor	7.56	Qms
Electrical Q Factor	0.287	Qes
Total Q Factor	0.276	Qts
Moving Mass	21.076g	Mms
Eq. Cas AIR Loaded	20.671L	Vas
Resonant Frequency	74.304Hz	Fs



Effective Piston Area	258.60cm ²	SD	
-----------------------	-----------------------	----	--